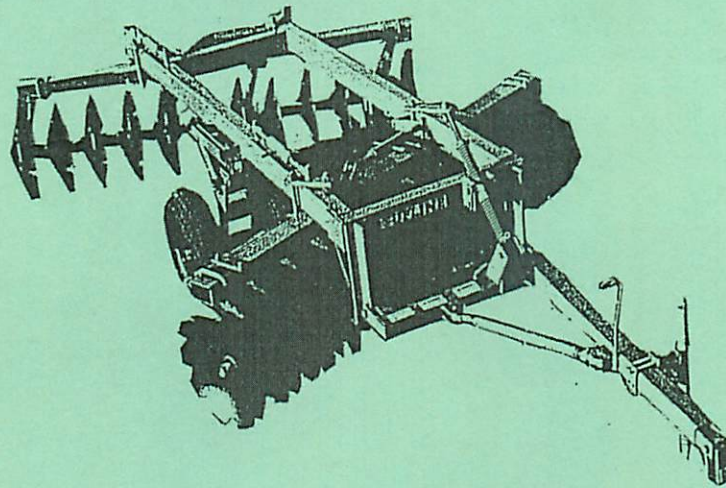


# 38 & 42 SERIES OFFSET DISC HARROWS BY TUFLINE

## ASSEMBLY & OPERATING INSTRUCTIONS



---

**MONROE-TUFLINE MANUFACTURING CO., INC.**

P.O. BOX 186 / COLUMBUS, MS 39703-0186

PHONE (662) 328- 8347

FAX (662) 328- 8361

# 38 & 42 SERIES OFFSET ASSEMBLY

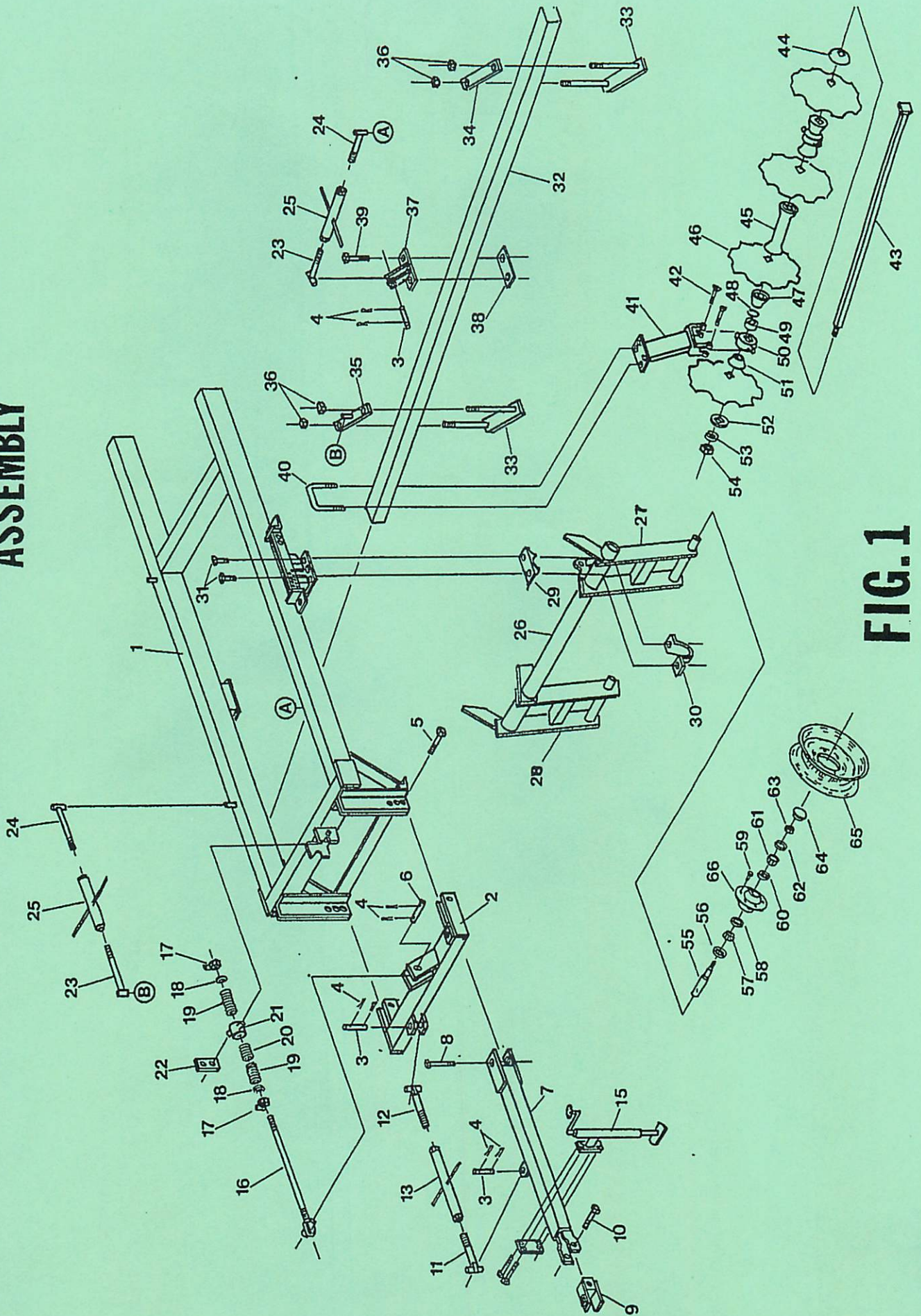


FIG. 1

### 38 & 42 SERIES OFFSET

PART NO.	DESCRIPTION	REB. NO.	PART NO.	DESCRIPTION
1	Main Frame, 38 Series	36	T-18	Hex Nut, 1/8"
2	Main Frame, 42 Series	37	11896	GB Tumbuckle Shift Bracket 38 Series
3	Drawbar, 38", 42 Series	38	11895	Bottom Clamp Plate, 38 Series
4	Drawbar, 34", 38 Series		11898	Bottom Clamp Plate, 42 Series
5	Hex Bolt, 1" x 4", Gr. 5 Plain	39	12179	Hex Bolt, 1/2" x 5" Gr. 2, 38 Series
6	Pin, 1" x 5"	40	11975	U-Bolt, 7/8", 38 Series
7	Tongue, 56"		12030	U-Bolt, 1", 42 Series
8	Hex Bolt, 1" x 6 1/2", Gr. 5	41	12166	Tube Gang Hanger, 38 Series
9	Clevis		12214	Tube Gang Hanger, 42 Series
10	Hex Bolt, 7/8" x 5", Gr. 5	42	12163	Hex Bolt, 1/2" x 3 1/2", Gr. 5
11	RH Adjusting Screw, 12"	43		Axle, 1 1/2" Sq.
12	LH Adjusting Screw, 12"	44	T-491	Bumper Washer, 1 1/2" Sq.
13	Tumbuckle Barrel, 24"	45	T-105	Spacer Spool, 9" Spacing **
			T-104	Spacer Spool, 10 1/2" Spacing
15	Tongue Jack Assembly	46		Disc Blade
16	Leveling Rod Screw, 31"	47	T-495	End Spacer, 1 1/2" Sq. x 3 7/8" (9" Sp.)
17	Wing Nut, 1/8"		T-106	End Spacer, 1 1/2" Sq. x 4 1/2" (10 1/2")
18	Flatwasher, 1 1/8"	48	T-729	Snap Ring, 4"
19	Adjusting Spring, 8 1/2"	49	T-604	Bearing, 1 1/2" Sq. (W211RP3)
20	Adjusting Spring, 4 1/2"	50	T/M/D	Trunion Bearing Housing, 1 1/2" Sq.
21	Spring Housing	51	T-495	End Spacer, 1 1/2" Sq. x 3 7/8" (9" Sp.)
22	Retainer Strap		T-105	End Spacer, 1 1/2" Sq. x 4 1/2" (10 1/2")
23	RH Adjusting Screw, 9"	52	T-492	End Washer, 1 1/2" Sq.
24	LH Adjusting Screw, 9"	53	T-728	Lockwasher, 1 1/2"
25	Tumbuckle Barrel, 12"	54	T-727	Hex Nut, 1/2"
26	Wheel Carriage Axle, 49 1/2" (38)	55	T-564	Spindle, 1 5/8"
	Wheel Carriage Axle, 53 1/2" (42)	56	T-576	Seal, 1 1/2"
27	LH Wheel Arm	57	T-575	Inner Wheel Bearing, 1 1/4" I.M.67048
28	RH Wheel Arm	58	T-583	Inner Wheel Bearing Cup
29	Wheel Carriage Bearing Top, 4 1/2"	59	T-562	Lug Stud, 1/2" x 1 1/2"
30	Wheel Carriage Bearing Bottom, 4 1/2"	60	T-582	Outer Wheel Bearing Cup
31	Hex Bolt, 5/8" x 2 1/2", Gr. 5	61	T-574	Outer Wheel Bearing, 3/4"
32	Gang Beam	62	T-603	Spindle Washer, 3/4" ID x 1 1/2" OD
33	Bottom Clamp Plate, 38 Series	63	T-567	Slotted Nut, 3/4"
34	Bottom Clamp Plate, 42 Series	64	T-577	Hub Cap
	Top Clamp Plate, 38 Series	65	T-612	Wheel Rim (5 Hole)
	Top Clamp Plate, 42 Series	66	T-566	Hub Only (Available in Assembly Only)
35	Top Clamp Plate w/ TB Stud 38 Series	58,59,60,66	T-572	Hub Assembly
	Top Clamp Plate w/ TB Stud 42 Series	55,62,63	T-565	Spindle Assembly, 1 5/8"

\*\* The combination of these two half spacers replaces the use of part no. 10051 spacer spool.

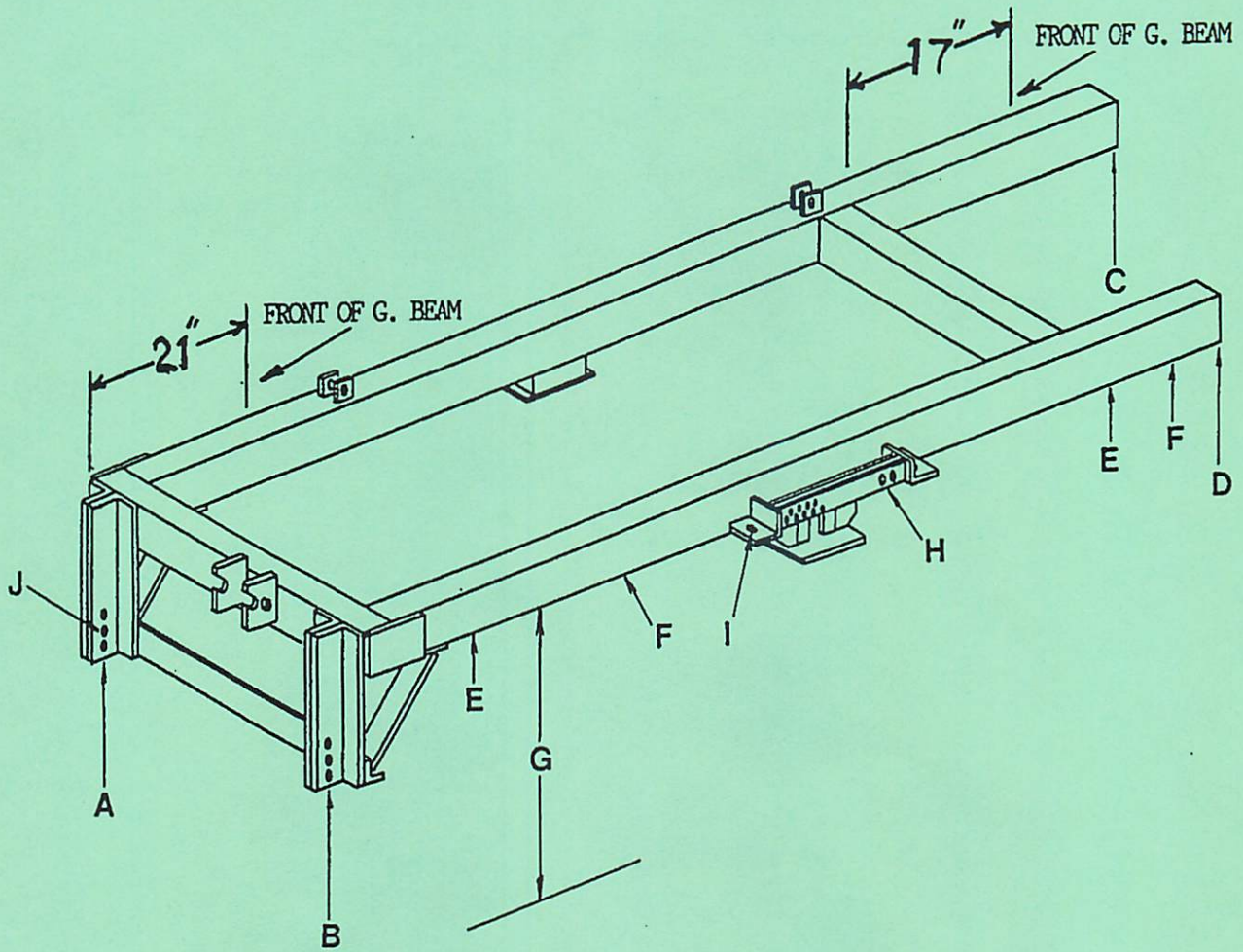


FIG. 2

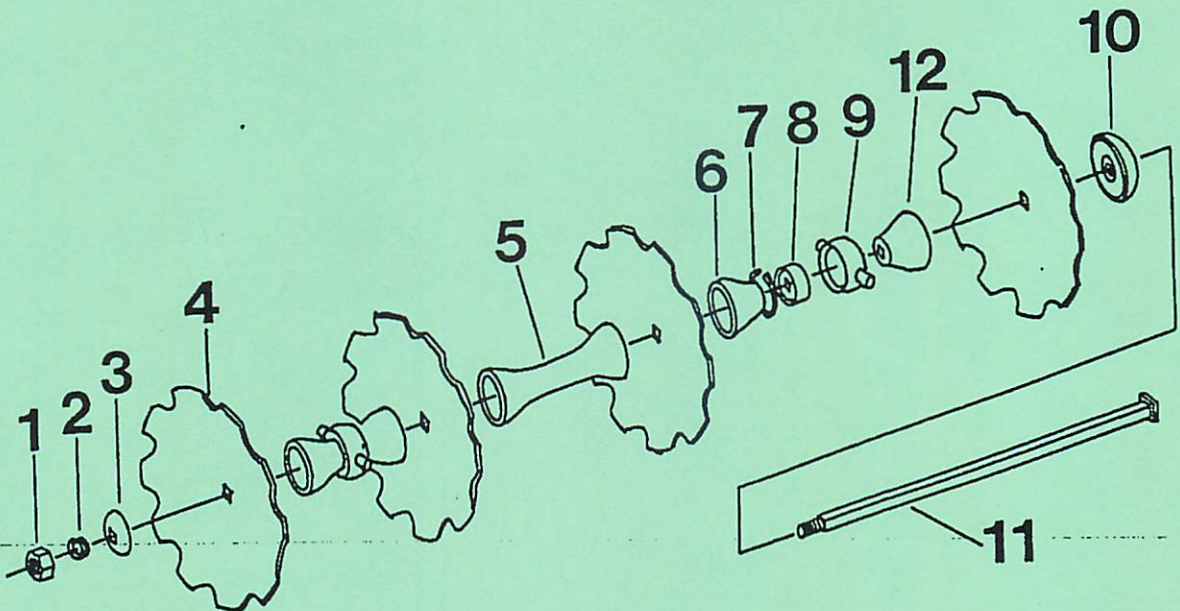


FIG. 3

REF. NO.	DESCRIPTION
1	TUBE HANGER, 1 1/2" AXLE
2	U-BOLT, 7/8"
3	LOCKWASHER, 7/8"
4	HEX NUT, 7/8"
5	GANG BEAM
6	HEX BOLT, 1/2" x 3 1/2", GR. 5
7	LOCKWASHER, 1/2"
8	HEX NUT, 1/2"

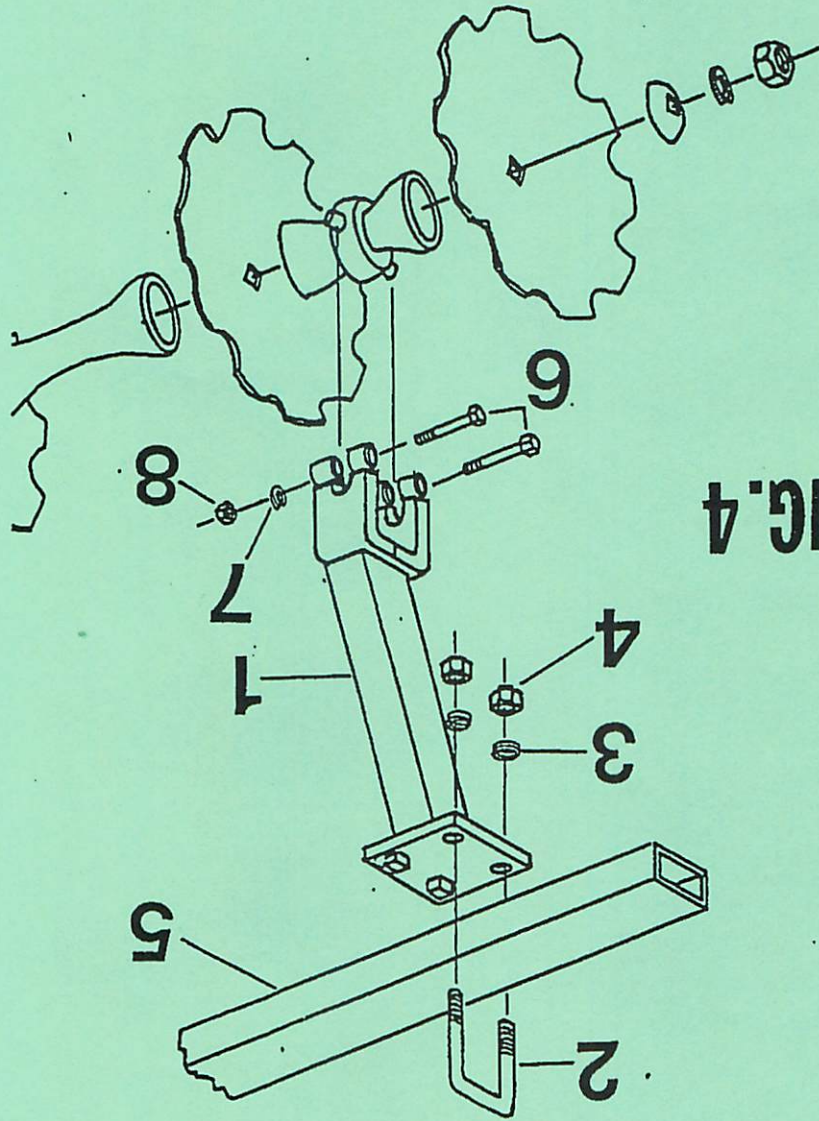


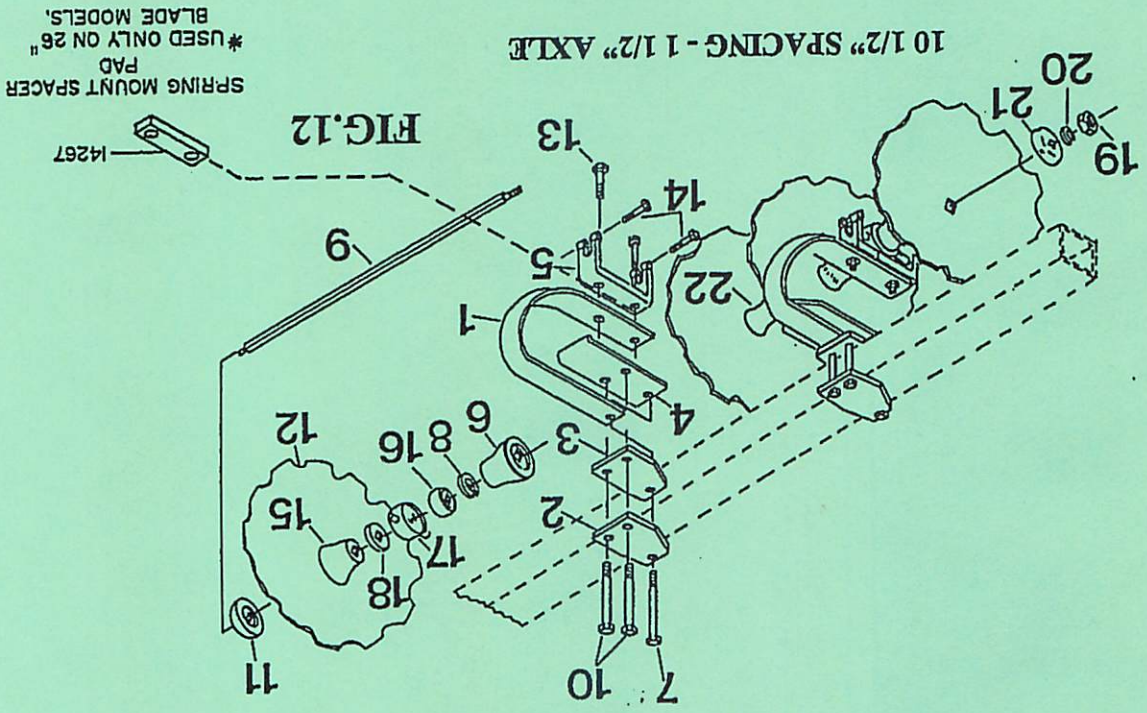
FIG. 4

TUBE HANGER ASSEMBLY DIAGRAM

# SHOCK FLEX GANGS

These gangs provide limited cushioning when obstructions are present. Although this added protection is present with these gangs, do not disregard the standard safe operating procedures that are outlined in the general safety instructions.

1. For gang assembly, refer to Fig. 12 & 13. Attach the trunion mounting weldment, Ref. 5, to the spring hanger shank, Ref. 1, with the two 3/4" x 3" Gr. 5 hex bolts.
2. Place the spring mount top plate, Ref. 2, on top of the gang beam and the alignment plate, Ref. 3, underneath the gang beam. Place the 7/8" x 7" and 5/8" x 7" hex bolts (3" x 5" gang beam) or the 7/8" x 8" and 5/8" x 8" hex bolts (4" x 6" gang beam), Ref. 7 & 10, through these two plates. Pull the shank with the mounting weldment, Ref. 1, up to the alignment plate. Under the shank place the bottom plate, Ref. 4, and tighten bolts in order to clamp the shank between the plates.



SPRING MOUNT SPACER  
PAD  
\*USED ONLY ON 26"  
BLADE MODELS.

REF. PART NO.	DESCRIPTION	REF. PART NO.	DESCRIPTION
1	9553 Spring Hanger Shank	11	T-491 Bumper Washer, 1 1/2" Sq.
2	10635 Spring Mount Top Plate 3 x 5	12	12 Disc Blade, 1 1/2" Sq.
3	10636 Alignment Plate 3 x 5	13	T-763 Hex Bolt, 3/4" x 3" Gr. 5
4	10637 Bottom Plate 3 x 5	14	14 End Washer, 1 1/2"
5	12159 Trunion Mounting Weldment	15	T-106 End Bearing Spool - Front
6	9559 Offset Bearing Spacer	16	T-604 Bearing, 1 1/2"
7	10641 Hex Bolt 7/8" x 7" Gr. 5 3 x 5	17	TMD Trunion Bearing Housing
8	T-729 Snap Ring, 4"	18	9560 Offset Brg Spacer - Rear
9	Axle, 1 1/2" Sq.	19	T-727 Hex Nut, 1 1/2"
10	T-750 Hex Bolt 5/8" x 7" Gr. 5 3 x 5	20	T-728 Lockwasher, 1 1/2"
16	T-753 Hex Bolt 5/8" x 8" Gr. 5 4 x 6	21	T-492 End Washer, 1 1/2"
		22	T-104 Spacer Spool, 10 1/2"

\*3/4" x 4" Gr. 5 (#9869)  
IS USED ON SHOCK FLEX  
GANGS W/26 BLADES.

SPRING MOUNT SPACER  
PAD

\*USED ONLY ON 26"  
BLADE MODELS.

**DESCRIPTION**

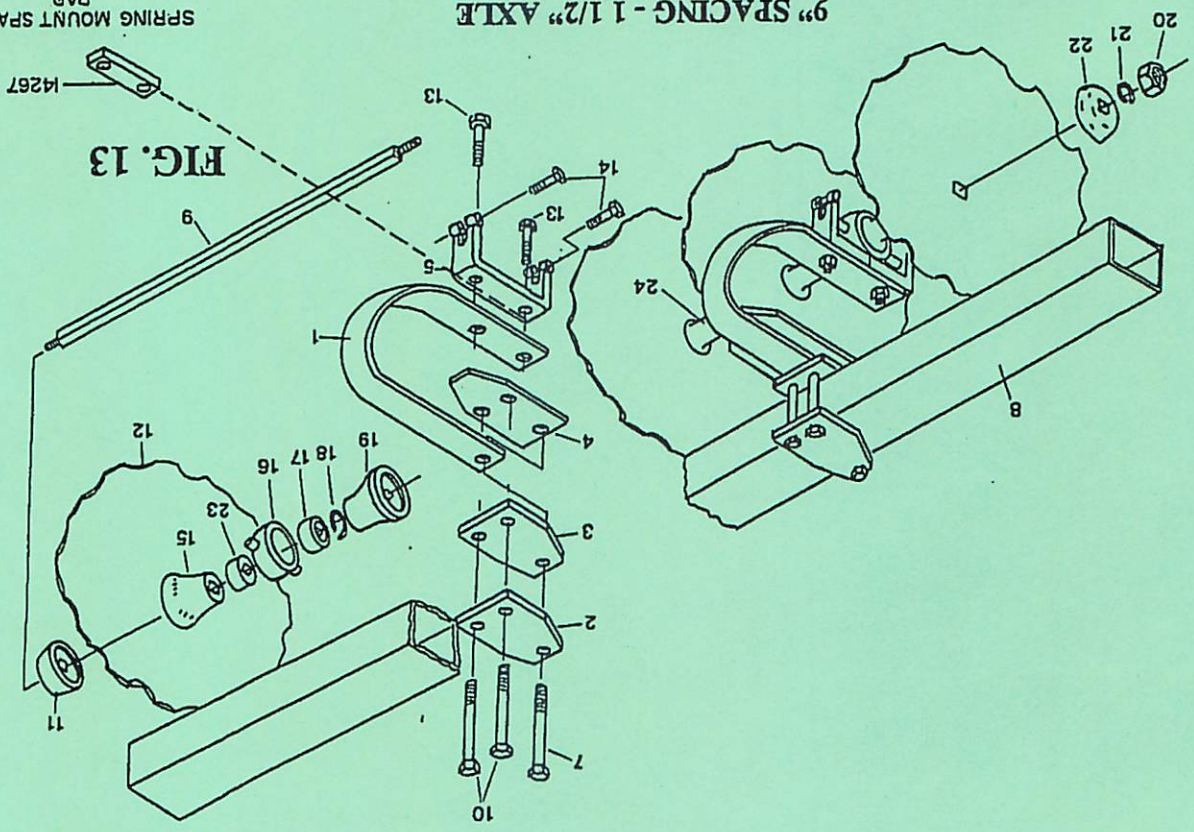
**PART NO.**

**REF. NO.**

Spring Hanger Shank	9553	1
Spring Mount Top Plate 3" x 5" Gang Beam	10635	2
Spring Mount Top Plate 4" x 6" Gang Beam	10393	
Spring Mount Alignment Plate 3" x 5" Gang Beam	10636	3
Spring Mount Alignment Plate 4" x 6" Gang Beam	10394	
Spring Mount Bottom Plate 3" x 5" Gang Beam	10637	4
Spring Mount Bottom Plate 4" x 6" Gang Beam	10392	
Trumton Mounting Weldment	12159	5
Hex Bolt 7/8" x 7" Gr. 5 3" x 5" Gang Beam	10641	7
Hex Bolt 7/8" x 8" Gr. 5 4" x 6" Gang Beam	10483	
Gang Beam		8
Axle, 1 1/2" Sq.		9
Hex Bolt 5/8" x 7" Gr. 5 3" x 5" Gang Beam	T-750	10
Hex Bolt 5/8" x 8" Gr. 5 4" x 6" Gang Beam	T-753	
Bumper Washer, 1 1/2" Sq.	T-491	11
Disc Blade, 1 1/2" Sq.		12
Hex Bolt 3/4" x 3" Gr. 5	T-763	13
Hex Bolt 1/2" x 3 1/2" Gr. 5	12163	14
End Spacer, 1 1/2"	T-106	15
Trumton Bearing Housing	TMD	16
Bearing, 1 1/2"	T-604	17
Snap Ring, 4"	T-729	18
Offset Bearing Spacer, Front	10640	19
Hex Nut, 1 1/2"	T-727	20
Lockwasher, 1 1/2"	T-728	21
End Washer, 1 1/2"	T-492	22
Offset Bearing Spacer, Rear	10639	23
Spacer Spool, 1 1/2" Sq. x 9"	10051	24

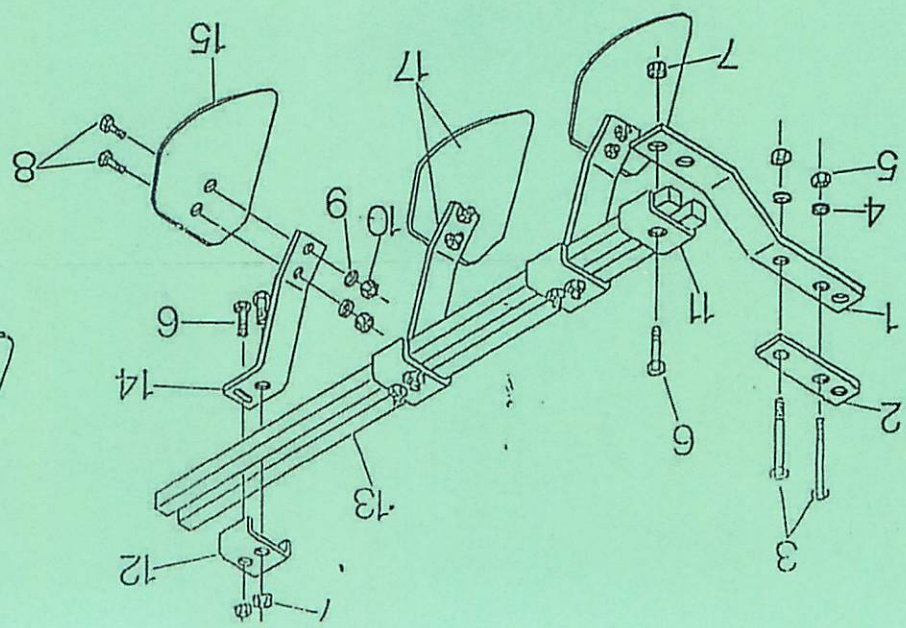
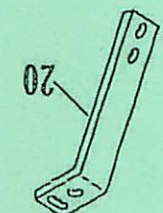
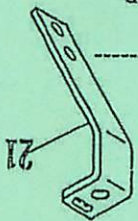
\*3/4" x 4" Gr. 5 (#98591)  
IS USED ON SHOCK FLEX  
GANGS W/26" BLADES.

**9" SPACING - 1 1/2" AXLE**



**FIG. 13**

HEAVY SCRAPER KIT



REF #	PART #	DESCRIPTION	REF #	PART #	DESCRIPTION
1	11056	SCRAPER BAR MOUNTING	* 15	11081	SCRAPER BLADE
	12890	SCRAPER BAR MOUNTING		11065	OUTRIGGER SCRAPER
		BRACKET (5X7 GB)(63 & 99)	16		BLADE
		BRACKET(5X3,6X4 GB)	* 17	11027	ARM & BLADE ASSY
	12891	SCRAPER BAR MOUNTING			WITH 11051 ARM
		BRACKET(3X3 LONG,3X4, 4X4)FOR TW6,TW5, & 4W	* 18	11028	ARM & BLADE ASSY
	12892	SCRAPER BAR MOUNTING			LEFT FRONT/RT REAR
		SCRAPER BAR MOUNTING			WITH 11051 ARM
		BRACKET(2X3,3X3 SHORT)		12180	ARM & BLADE ASSY
		FOR LIFT MODELS, TW5			WITH 9333 ARM
2	11057	CLAMP PLATE FOR 5X7 GB		T-8023	ARM & BLADE ASSY
	12893	CLAMP PLATE (5X3,6X4 GB)			RT FRONT/LBFT REAR
	12894	CLAMP PLATE(3X3,3X4,4X4)		T-8024	ARM & BLADE ASSY
		HEX BOLT 5/8" X 5" GR2			FOR LIFT HARROWS
3	T-745	HEX BOLT 5/8" X 5" GR2			LEFT FRONT / RT REAR
	T-747	HEX BOLT 5/8" X 6" GR2		11084	ARM & BLADE ASSY
		( 6X4,4X4 GANG BEAM)			FOR LIFT HARROWS
4	T-24	LOCKWASHER, 5/8"			RT FRONT / LEFT REAR
5	T-22	HEX NUT, 5/8"			FOR HT, W/ 11067 ARM
6	11082	HEX BOLT, 1/2" X 2 1/2" GR2		11085	ARM & BLADE ASSY
7	9226	FLANGE LOCK NUT, 1/2"			LEFT FRONT / RT REAR
8	T-733	HEX BOLT, 1/2" X 1 1/2" GR2			FOR HT, W/ 11067 ARM
9	T-25	LOCKWASHER, 1/2"		9461	ARM & BLADE ASSY
10	T-26	HEX NUT 1/2"			RT FRONT / LEFT REAR
11	T-803	CLAMP, 1 HOLE			(63 & 99) W/ 9042 ARM
12	9356	CLAMP, 2 HOLE		9462	ARM & BLADE ASSY
13		HEAVY SCRAPER BAR			LEFT FRONT / RT REAR
14	10151	SCRAPER ARM (TW5, TW6,HW,FW,TXH,HL, T4X, 38 & 42 SERIES)	19	9333	SCRAPER ARM, (TDF)
		(SEE CHART ON PAGE 104)			SCRAPER ARM,(99 & 63)
		SCRAPER ARM (HT)	20	9042	SCRAPER ARM, (HT)
		SCRAPER ARM (TWS)	21	11067	SCRAPER ARM, (HT)



1491

9879	AXLE 1 1/2" SQ. X 34 1/8" 4-BLADE, 9" SPACING	X
9880	AXLE 1 1/2" SQ. X 43 1/4" 5-BLADE, 9" SPACING	
9881	AXLE 1 1/2" SQ. X 52 3/4" 6-BLADE, 9" SPACING	
9882	AXLE 1 1/2" SQ. X 61 3/4" 7-BLADE, 9" SPACING	
9883	AXLE 1 1/2" SQ. X 70 3/4" 8-BLADE, 9" SPACING	
9869	AXLE 1 1/2" SQ. X 37 5/8" 4-BLADE, 10 1/2" SPACING	
9870	AXLE 1 1/2" SQ. X 48 1/4" 5-BLADE, 10 1/2" SPACING	
9871	AXLE 1 1/2" SQ. X 58 3/4" 6-BLADE, 10 1/2" SPACING	
9872	AXLE 1 1/2" SQ. X 68 3/4" 7-BLADE, 10 1/2" SPACING	
9873	AXLE 1 1/2" SQ. X 79 5/8" 8-BLADE, 10 1/2" SPACING	
11339	AXLE 1 1/2" SQ. X 90 1/4" 9-BLADE, 10 1/2" SPACING	
11340	AXLE 1 1/2" SQ. X 100 3/4" 10-BLADE, 10 1/2" SPACING	
T-728	LOCK WASHER 1 1/2"	
T-727A	LOCKNUT 1 1/2"	
11397	SQUARE NUT 1 1/2"	X
9472	JAM NUT 1 1/2"	
15376	SPACER WASHER	

AXLES - 1 1/2" RC SQ. HI-YIELD C1045 COLD DRAWN  
AND THREADED ON EACH END

11319	AXLE 1 1/8" SQ. X 27 1/2" 4-BLADE, 7 1/2" SPACING	
11320	AXLE 1 1/8" SQ. X 35 3/8" 5-BLADE, 7 1/2" SPACING	
11321	AXLE 1 1/8" SQ. X 42 3/4" 6-BLADE, 7 1/2" SPACING	
11322	AXLE 1 1/8" SQ. X 50 1/2" 7-BLADE, 7 1/2" SPACING	
11323	AXLE 1 1/8" SQ. X 58 1/8" 8-BLADE, 7 1/2" SPACING	
11324	AXLE 1 1/8" SQ. X 65 5/8" 9-BLADE, 7 1/2" SPACING	
11325	AXLE 1 1/8" SQ. X 72 1/2" 10-BLADE 7 1/2" SPACING	
11326	AXLE 1 1/8" SQ. X 23 1/4" 3-BLADE, 9" SPACING	
11327	AXLE 1 1/8" SQ. X 32" 4-BLADE, 9" SPACING	
11328	AXLE 1 1/8" SQ. X 41 1/2" 5-BLADE, 9" SPACING	
11329	AXLE 1 1/8" SQ. X 50 1/4" 6-BLADE, 9" SPACING	
11330	AXLE 1 1/8" SQ. X 59 3/8" 7-BLADE, 9" SPACING	
11331	AXLE 1 1/8" SQ. X 68 5/8" 8-BLADE, 9" SPACING	
11332	AXLE 1 1/8" SQ. X 77 5/8" 9-BLADE, 9" SPACING	
T-20	LOCK WASHER 1 1/8"	
T-18A	LOCKNUT 1 1/8"	
11398	SQUARE NUT 1 1/8"	

AXLES - 1 1/8" RC SQ. HI-YIELD C1045 COLD DRAWN  
THREADED ON EACH END



PART NUMBER	DESCRIPTION
	AXLES



Effective: December 23, 2013  
Prices subject to change without notice.



Prices sub

AXLES

PART NUMBER	DESCRIPTION
-------------	-------------

T-138	AXLE 7/8" SQ. X 18 3/8" 3-BLADE, 7 1/2" SPACING
T-15	AXLE 7/8" SQ. X 26 3/8" 4-BLADE, 7 1/2" SPACING
T-16	AXLE 7/8" SQ. X 33 1/2" 5-BLADE, 7 1/2" SPACING
13173	AXLE 7/8" SQ. X 41 1/2" 6-BLADE, 7 1/2" SPACING
T-19A	LOCKNUT 7/8"
T-21	LOCK WASHER 7/8"

AXLES - 7/8" SQ. W/BUMPER WASHER WELDED ON

11316	AXLE 7/8" SQ. X 17 3/8" 3-BLADE, 7 1/2" SPACING
11317	AXLE 7/8" SQ. X 25" 4-BLADE, 7 1/2" SPACING
11318	AXLE 7/8" SQ. X 32 5/8" 5-BLADE, 7 1/2" SPACING
T-19A	LOCKNUT 7/8"
T-21	LOCK WASHER 7/8"

AXLES-1" SQUARE W/REGULAR SQUARE HEAD

15187	AXLE 1" SQ. X 18" 3-BLADE, 7 1/2" SPACING
13429	AXLE 1" SQ. X 25 1/2" 4-BLADE, 7 1/2" SPACING
13430	AXLE 1" SQ. X 33 1/2" 5-BLADE, 7 1/2" SPACING
13431	AXLE 1" SQ. X 40 3/4" 6-BLADE, 7 1/2" SPACING
13432	AXLE 1" SQ. X 21 1/4" 3-BLADE, 9" SPACING
13433	AXLE 1" SQ. X 30 1/2" 4-BLADE, 9" SPACING
13434	AXLE 1" SQ. X 39 1/4" 5-BLADE, 9" SPACING
T-34	LOCK WASHER 1"
T-606	FLAT WASHER 1"
10332	LOCKNUT 1"

AXLES - 1 1/8" SQ. W/REGULAR SQUARE HEAD  
 LENGTHS MEASURED UNDER SQUARE HEAD

T-131	AXLE 1 1/8" SQ. X 21 1/2" 3-BLADE, 9" SPACING
T-13	AXLE 1 1/8" SQ. X 31" 4-BLADE, 9" SPACING
T-14	AXLE 1 1/8" SQ. X 40" 5-BLADE, 9" SPACING
T-130	AXLE 1 1/8" SQ. X 18 5/8" 3-BLADE, 7 1/2" SPACING
T-132	AXLE 1 1/8" SQ. X 26 1/2" 4-BLADE, 7 1/2" SPACING
T-133	AXLE 1 1/8" SQ. X 34" 5-BLADE, 7 1/2" SPACING
T-141	AXLE 1 1/8" SQ. X 41 3/4" 6-BLADE, 7 1/2" SPACING
T-142	AXLE 1 1/8" SQ. X 49 1/2" 7-BLADE, 7 1/2" SPACING OR 6-BLADE, 9" SPACING
T-143	AXLE 1 1/8" SQ. X 56 5/8" 8-BLADE, 7 1/2" SPACING
T-144	AXLE 1 1/8" SQ. X 58 1/2" 7-BLADE, 9" SPACING
T-20	LOCK WASHER 1 1/8"
T-698	FLAT WASHER 1 1/8"
T-18A	LOCKNUT 1 1/8"
11170	SPACER WASHER